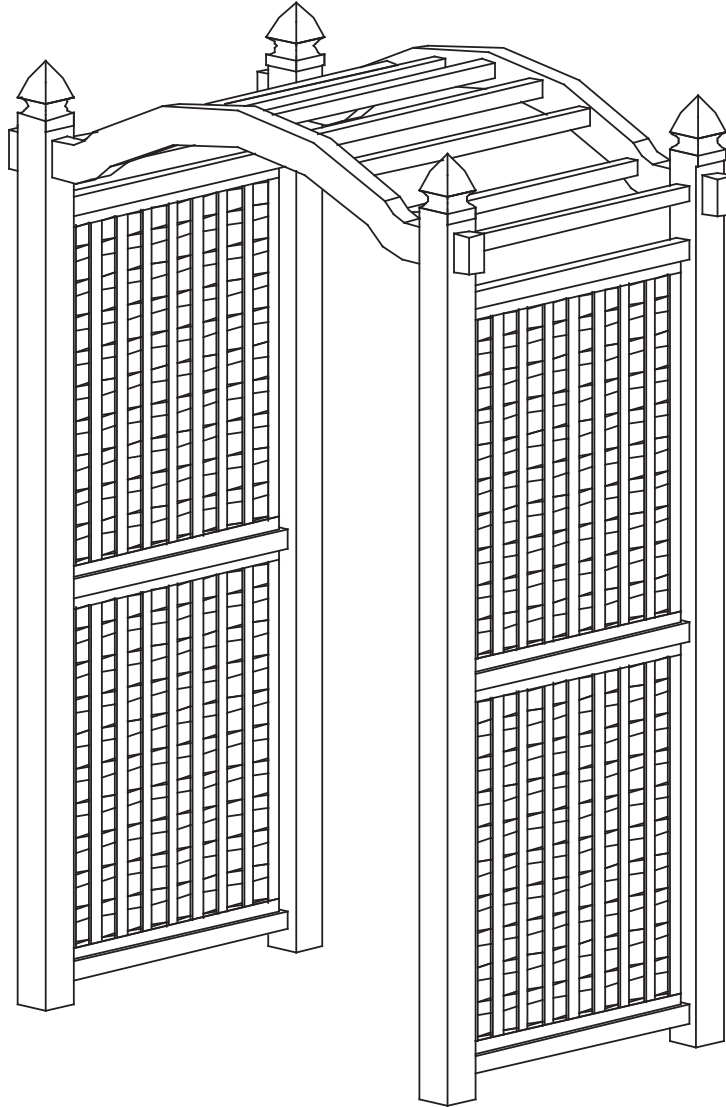


# Legacy Arbor

88"H x 59"W x 35"D 48" Opening



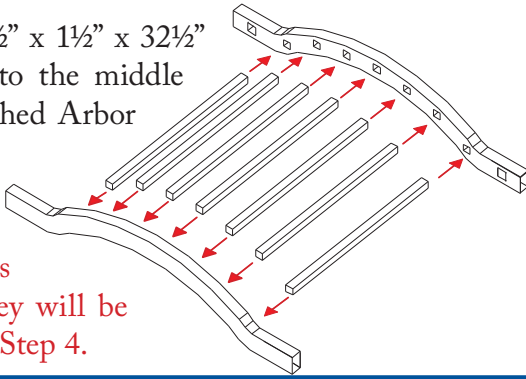
**IMPORTANT! PLEASE BE SURE TO FOLLOW INSTRUCTIONS CAREFULLY, IN THE PROPER SEQUENCE! THANK YOU**

## PARTS LIST

QTY	DESCRIPTION	QTY	DESCRIPTION
6	1¾" x 1¾" x 34"	4	2" x 3½" End Caps
7	1½" x 1½" x 32½" Arch Rafters	4	28" x 34" Lattice
2	1½" x 1½" x 30⅝" End Rafters	1	Tube/Can PVC Adhesive
4	3½" x 3½" x 89" Posts	4	Post Anchors
2	Arched Arbor Tops		
4	3½" x 3½" Gothic Caps		

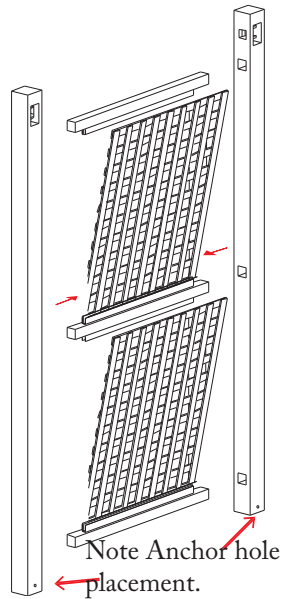
### STEP 1

Insert the (7) 1½" x 1½" x 32½" Arch Rafters into the middle holes of the Arched Arbor Tops. **Do not install the (2) 1½" x 1½" x 30⅝" End Rafters at this time. They will be installed later in Step 4.**



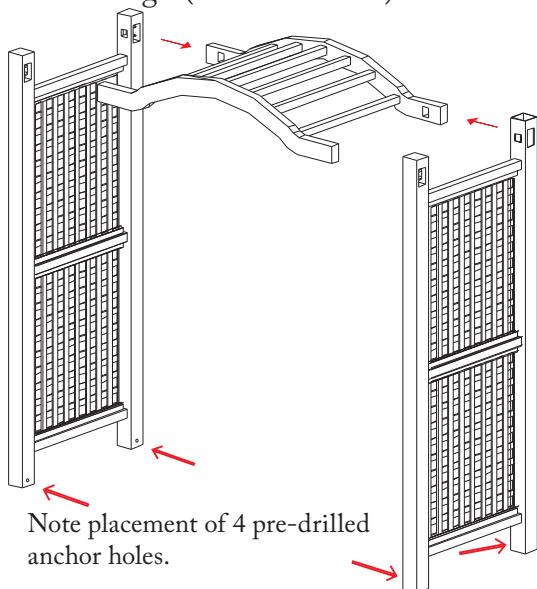
### STEP 2

Assemble the lattice panels as you snap the horizontal rails into the 3½" x 3½" routed posts making sure the routed holes for the arch top are placed at the top of all side panel assemblies and that the routed anchor slots at the bottom of the posts are all facing inward. Care should be taken to make sure the middle rail (U-channel on both sides) is placed in the center holes and that the top and bottom rails are installed with the U-channel facing the center rail.



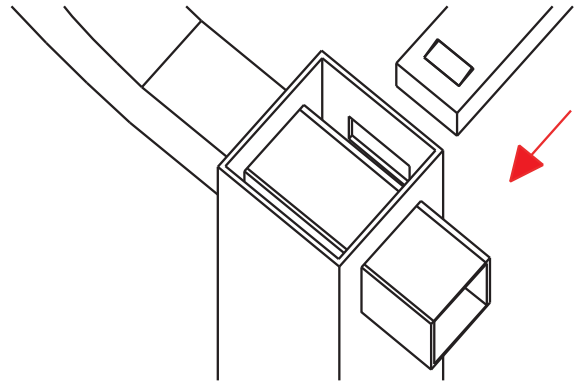
### STEP 3

Insert the partially assembled arbor arch through the routed holes in the side assemblies so the routed 1½" x 1½" holes align (See illustration).



### STEP 4

Now! Insert the (2) 1½" x 1½" x 30⅝" End Rafters into the post/arch assembly.



### STEP 5

Install the (4) 2" x 3½" Arbor Arch end caps and the (4) Gothic post caps using PVC adhesive. (Tip - Apply the PVC adhesive to the internal surfaces of the open arch top and insert the caps. Similarly apply adhesive to the inside surface of the gothic post caps and position upon the posts.)

### STEP 6

Excavate 4 holes approximately 6" deep and position the arbor into the holes. Drive the 4 post anchors through the routed slots on the bottom inside face of each post. Backfill the holes with soil to cover the post anchors.

