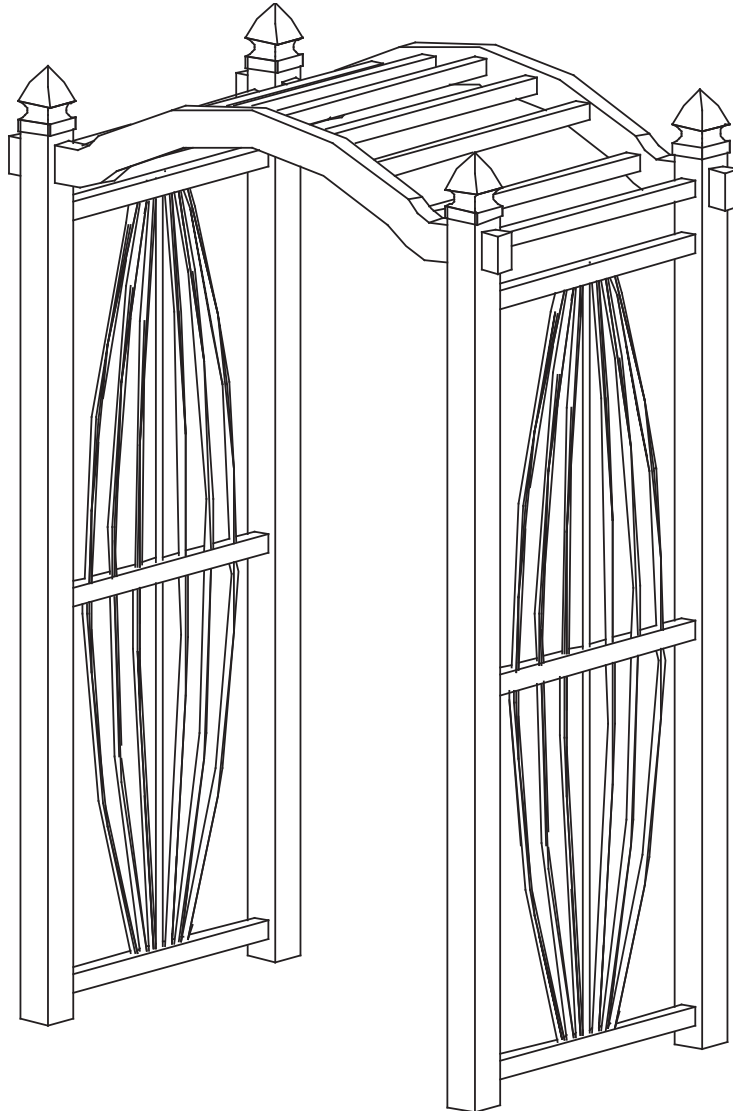


Harmony Arbor

88"H x 59"W x 35"D 48" Opening



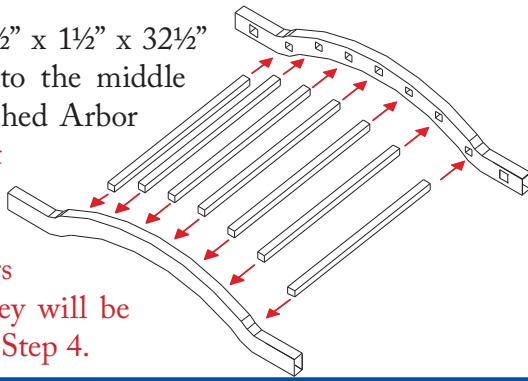
IMPORTANT! PLEASE BE SURE TO FOLLOW INSTRUCTIONS CAREFULLY, IN THE PROPER SEQUENCE! THANK YOU

PARTS LIST

QTY	DESCRIPTION	QTY	DESCRIPTION
6	1¾" x 1¾" x 34"	4	2" x 3½" End Caps
7	1½" x 1½" x 32½" Arch Rafters	6	73½" Rods (⅝" O.D.)
2	1½" x 1½" x 30⅝" End Rafters	4	74¼" Rods (⅝" O.D.)
4	3½" x 3½" x 89" Posts	4	75" Rods (⅝" O.D.)
2	Arched Arbor Tops	1	Tube/Can PVC Adhesive
4	3½" x 3½" Gothic Caps	4	Post Anchors

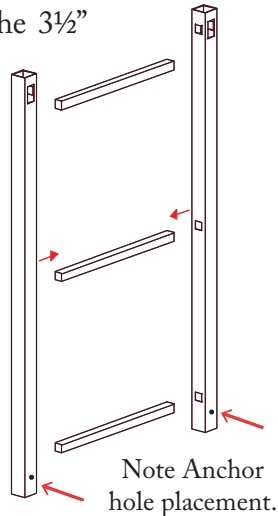
STEP 1

Insert the (7) 1½" x 1½" x 32½" Arch Rafters into the middle holes of the Arched Arbor Tops. **Do not install the (2) 1½" x 1½" x 30⅝" End Rafters at this time. They will be installed later in Step 4.**



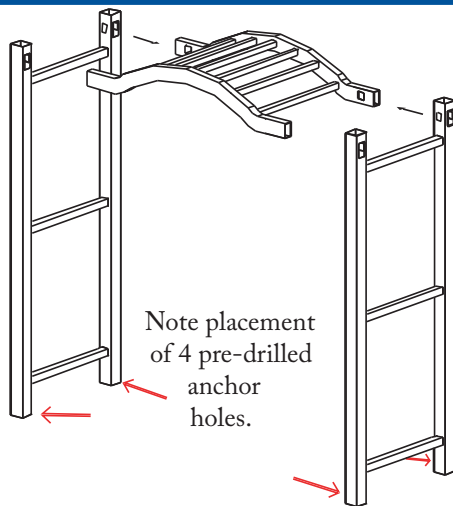
STEP 2

Snap the horizontal rails into the 3½" x 3½" routed posts. Make sure the routed holes for the arch top are placed at the top of all side panel assemblies and that all the routed anchor slots at the bottom of the posts are facing inward. Care should be taken to make sure the middle rail (holes drilled on both sides) is placed in the center holes and that the top and bottom rails are installed with the holes facing the center rail.



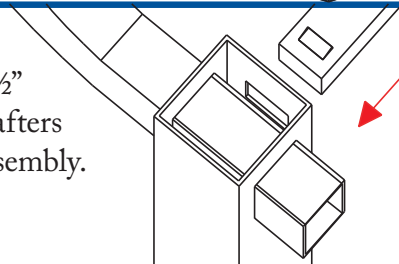
STEP 3

Insert the partially assembled arbor arch through the routed holes in the side assemblies so that the routed 1½" x 1½" holes align.



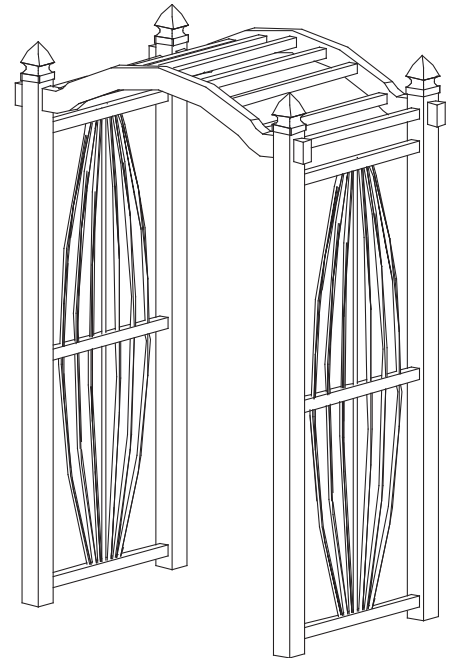
STEP 4

Now! Insert the (2) 1½" x 1½" x 30⅝" End Rafters into the post/arch assembly.



STEP 5

Feed the ⅝" Rods through the middle rail and then position into the top and bottom rails. You will have to bend the rods slightly to snap them into position. The middle three rods are the same length (73½") and each successive rod is slightly longer as they near the 3½" x 3½" Posts.



STEP 6

Install the (4) 2" x 3 ½" Arbor Arch end caps and the (4) Gothic post caps using PVC adhesive. (Tip - Apply the PVC adhesive to the internal surfaces of the open arch top and insert the caps. Similarly apply adhesive to the inside surface of the gothic post caps and position upon the posts.)

STEP 7

Excavate 4 holes approximately 6" deep and position the arbor into the holes. Drive the 4 post anchors through the routed slots on the bottom inside face of each post. Backfill the holes with soil to cover the post anchors.

